

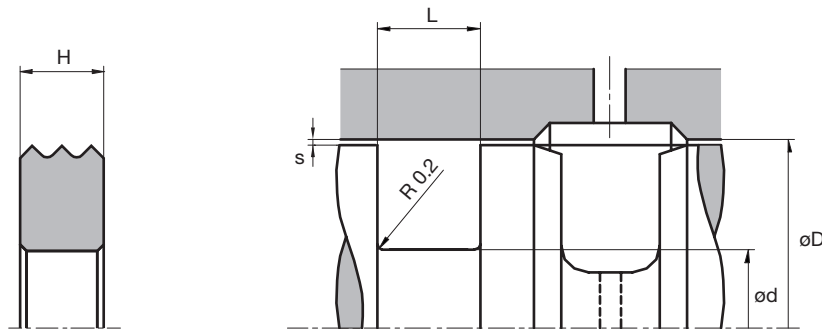


trygonal

Rotary Seal TR05

double acting

Housing design



The dimensions $s + c$ are dependent on the respective seal type.

Design

- Space-saving Rotary Seal for subordinate applications
- Tight fit on inner diameter
- Dynamic lip seal on outer diameter
- Use for rotary movements in hydraulic systems

Application



rotating



oscillating



screwing

Brightened symbols:
Seal only for limited use.
Please contact us.

Surface finish

Roughness	Rtmax (µm)	Ra (µm)	Material portion
Sliding surface	≤ 2,5	0,1 – 0,5	Hardness: min. 45 HRC (55 HRC recommended), insert depth > 0.3mm Contact area: 50 - 95% at a cutting depth of 0.5xRz starting from Cref = 0%.
Groove base	≤ 6,3	≤ 1,6	
Groove flanks	≤ 15	≤ 3	

Standard dimensions

øD (mm)	ød h8 (mm)	L + 0,2 (mm)	H (mm)	s (mm)
≥ 13 – ≤ 30	D – 8	4,5	3,9	H9/e8
> 30 – ≤ 46	D – 10	5,6	4,8	H9/e8
> 46 – ≤ 68	D – 12	5,6	4,7	H9/e8
> 68 – ≤ 100	D – 15	7,7	6,5	H7/f7
> 100 – ≤ 160	D – 20	9,2	7,7	H7/f7
> 160 – ≤ 225	D – 25	11,3	9,4	H7/f7
> 225 – ≤ 330	D – 30	13,5	11,2	H7/f7
> 330	D – 40	18,5	15,5	H7/f7

Material and application parameters

Sealing element	Temp. (°C)	max. sliding speed (m/s)	max. pressure ¹
HPU premium	-30 – +110	0,2	160 bar (16 MPa)
HPU diet	-20 – +110	0,2	160 bar (16 MPa)
HPU lubric	-20 – +110	0,3	160 bar (16 MPa)
HPU taiga	-50 – +110	0,2	160 bar (16 MPa)
NBR standard	-30 – +100	0,2	100 bar (10 MPa)
FPM diet br	-20 – +200	0,2	100 bar (10 MPa)
EPDM spring	-50 – +150	0,2	100 bar (10 MPa)
HNBR diet	-25 – +150	0,2	100 bar (10 MPa)
AFLAS® standard	-10 – +200	0,2	100 bar (10 MPa)

¹ Pressure values as a function of the gap dimension.

The specified application parameters are generally valid values and must not be used simultaneously with the application. An order can be placed by specifying the profile type, material and specified housing design dimensions.

Our applied technical advice, either oral, written or through tests is given according to our best knowledge. However, this information is to be considered as non-obligatory instruction, also in terms of any protective rights of a third party, and does not exempt you from testing our product in reference to its suitability for the intended process and purpose. Utilisation, application and processing of the products occur entirely outside of our control and are therefore exclusively your responsibility. However, should a case of liability come into question, it will be limited to all damages in the value of the product which we delivered and you used. By all means, we do warrant the impeccable quality of our products in accordance with our general sales and delivery conditions.